

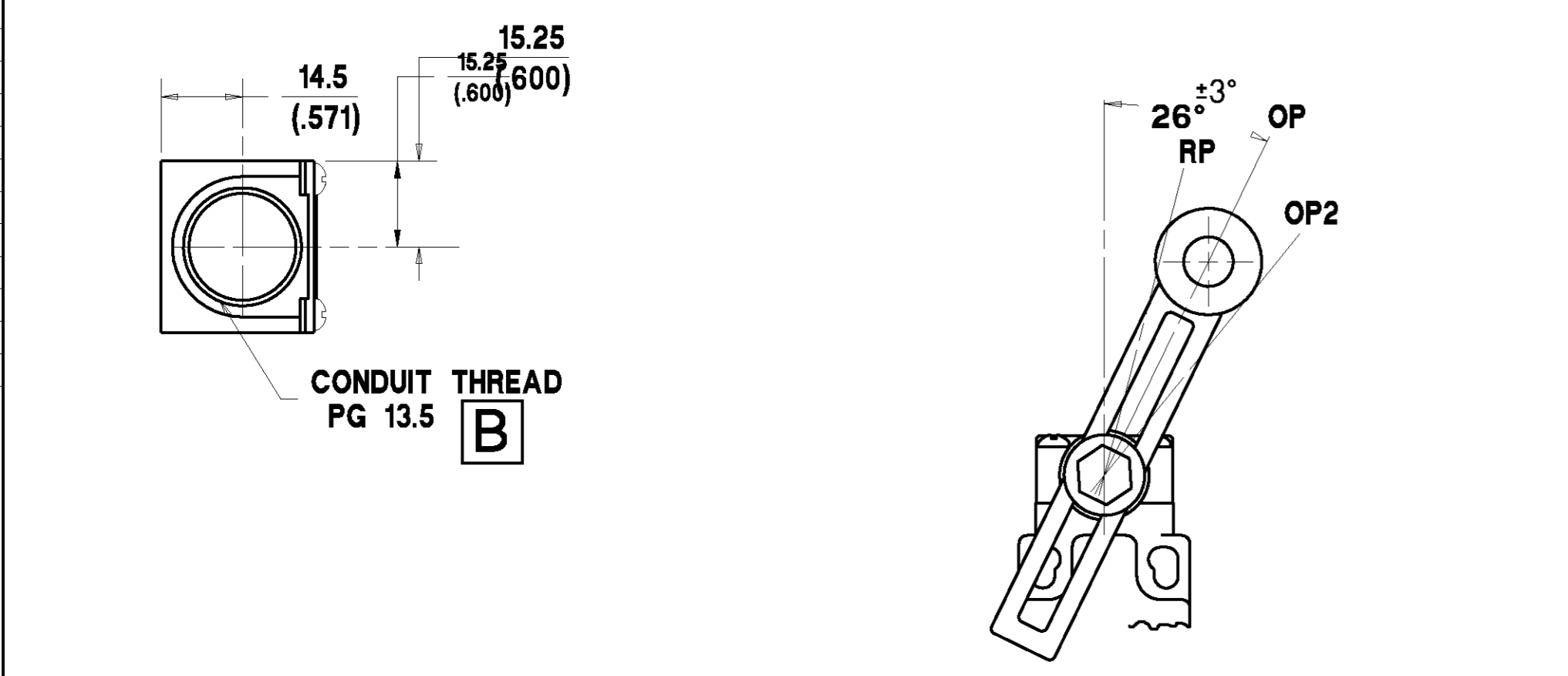
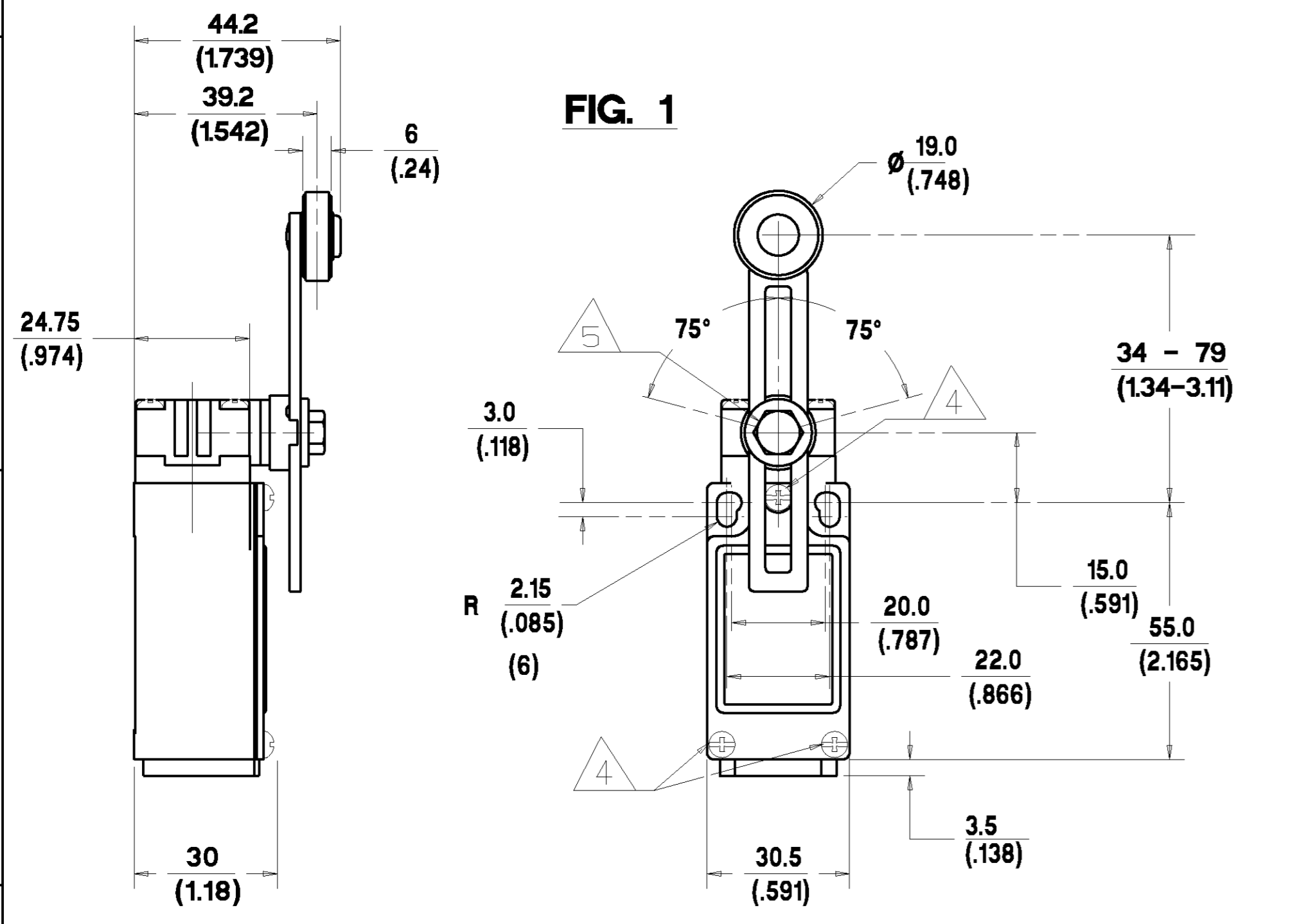
MTG-GL-191

REPLACES
DRAWING NUMBER
AO1B-185

ISSUE
6

REVISIONS
2 7/96
AO1B-262
3 12/96
AO1B-293
4 7/97
CO-000083
5 8/97
CO-000106
6 CO/395
I WEIR 6/98

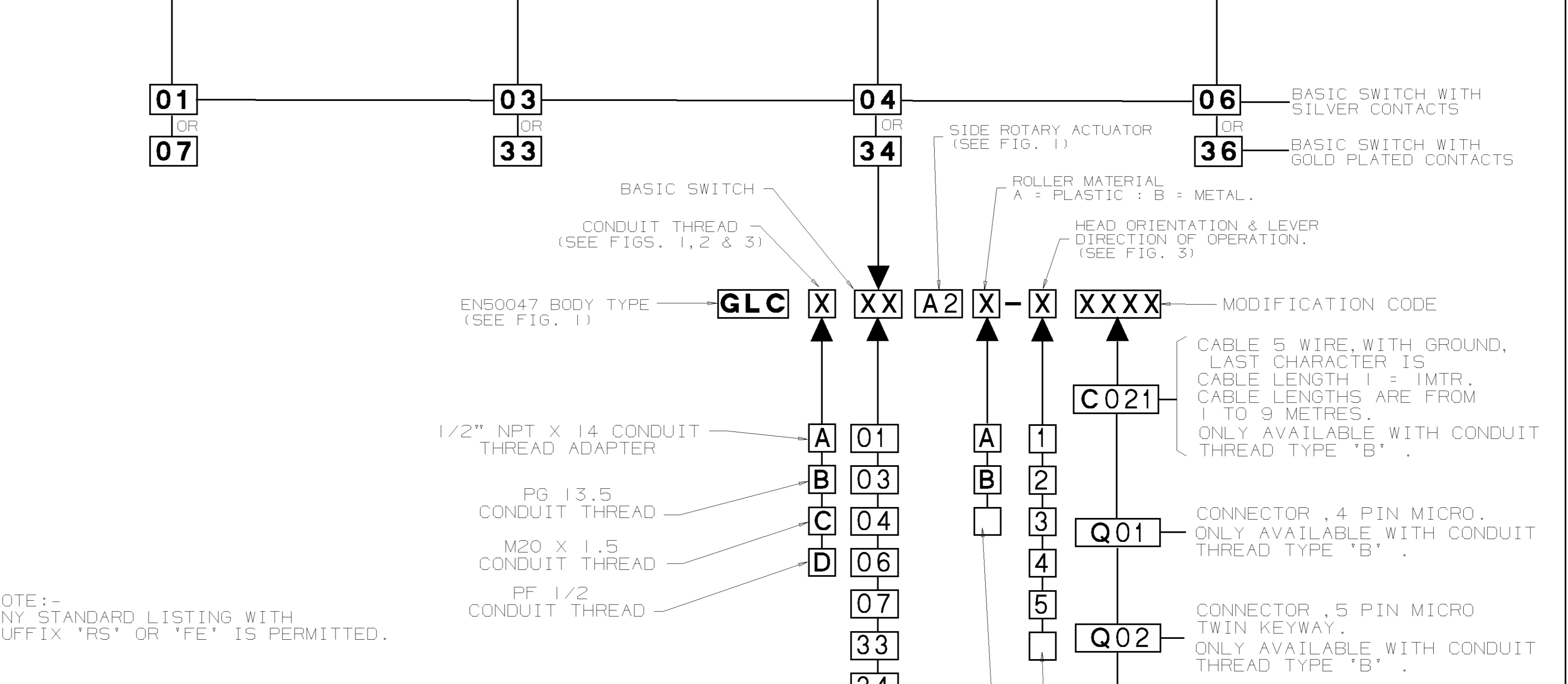
Honeywell **LIMIT SWITCH** CATALOGUE LISTING
GLS
CHART NO. **MTG-GL-191**



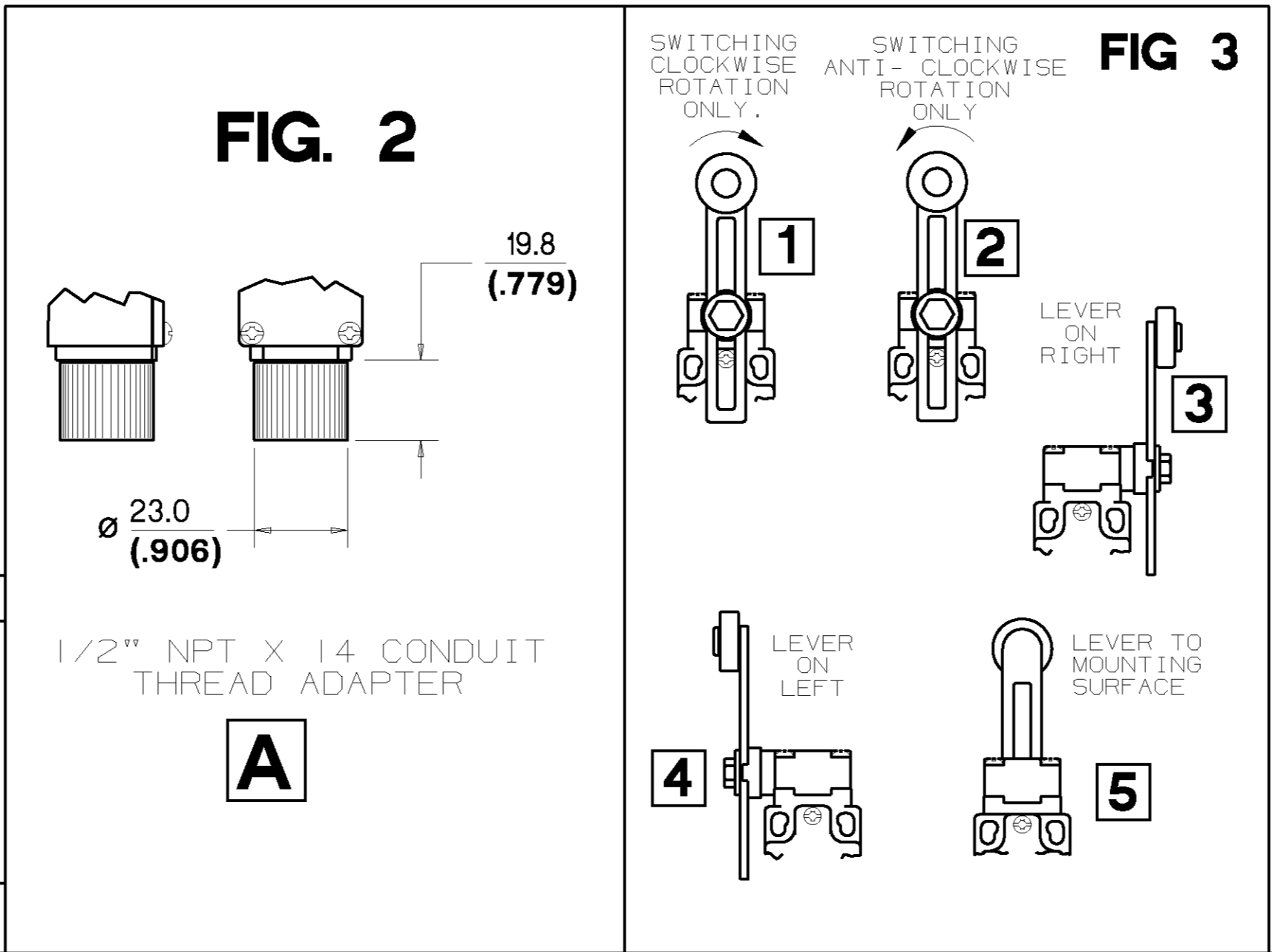
- NOTES:-
- ZINC DIECAST BODY AND HEAD WITH STEEL COVER. BODY AND COVER FINISHED IN MICRO SWITCH BLUE EPOXY PAINT. HEAD FINISHED IN BLACK EPOXY PAINT.
 - MINIMUM OPERATING VELOCITY (Vmin) = 0.26 rad/s
MAXIMUM OPERATING VELOCITY (Vmax) = 25 rad/s
MAXIMUM OPERATING FREQUENCY (Fmax) = 250 OPS/MIN
 - FREE POSITION (FP), OPERATING POINT (OP), OVERTRAVEL (OT) AND PRETRAVEL (PT) ALL TO EN50047.
 - MAXIMUM TIGHTENING TORQUE FOR FIXING SCREW = 0.5Nm (4.4in.LB)
 - MAXIMUM TIGHTENING TORQUE FOR FIXING SCREW = 0.8Nm (7in.LB)

NO CHANGES CAN BE MADE TO THIS DRAWING WITHOUT JOINT NEWHOUSE/FREEPORT APPROVAL

CONTACT BLOCK DIAGRAM TERMINAL DESIGNATION TO EN 50013	NOMINAL TRAVELS AND RELATED TERMINALS	NORMAL OPERATING TORQUE MAX	Nmm (in.lbs)
SNAP-ACTION CONTACTS 		120 (11)	
SLOW-ACTION CONTACTS (BREAK BEFORE MAKE) 		110 (10)	
SLOW-ACTION CONTACTS (MAKE BEFORE BREAK) 		110 (11)	
SLOW-ACTION CONTACTS (2 NORMALLY CLOSED) 		110 (10)	
		140 (13)	
		160 (15)	
		170 (16)	
		150 (14)	



NOTE:- ANY STANDARD LISTING WITH SUFFIX 'RS' OR 'FE' IS PERMITTED.



BLANK = NO ROLLER FITTED.

BLANK = LEVER TO FRONT, SWITCHING IN BOTH DIRECTIONS.

NOTE: FOR CONNECTION DIAGRAMS AND ADDITIONAL ELECTRICAL, ENVIRONMENTAL & DIMENSIONAL INFORMATION SEE DRAWING GL-4922.

STANDARD SILVER CONTACTS	GOLD PLATED CONTACTS	ENVIRONMENTAL	APPROVALS
ELECTRICAL RATING	ELECTRICAL RATING	ENVIRONMENTAL	APPROVALS
AC A300 AC15 Ue Ie	DC O300 DC13 Ue Ie	IP66 NEMA 1, 4, 12, 13 TEMP RANGE: -25°C TO 85°C -13°F TO 185°F STORAGE: -40°C TO 85°C -40°F TO 185°F SHOCK: 50G PER IEC 68-2-27 VIBRATION: 10G PER IEC 68-2-6	UL IEC 947-5-1 EN50047
VOLTS AMPS 120 6 240 3	VOLTS AMPS 125 0.55 250 0.27	I _{th} = 10A IV 10µA MIN. 50V 100mA MAX.	
THE COPYRIGHT OF THIS DRAWING IS THE PROPERTY OF HONEYWELL LTD. THE DRAWING IS SUPPLIED IN CONFIDENCE AND MUST NOT BE USED FOR ANY PURPOSE OTHER THAN THAT FOR WHICH IT IS SUPPLIED.			
DRAWN: M. LOCH CHECK: I. WEIR DESIGN: J. BOYD AUTHOR: P. FRICKETT		SCALE: 1:1	MODIFY ON CAD SYSTEM ONLY